

AD-A268 474



U



FOR OFFICIAL USE ONLY
SMALL ICBM AREA NARROWING REPORT

EXECUTIVE SUMMARY

S DTIC
ELECTE
AUG 20 1993
E D

JANUARY 1986

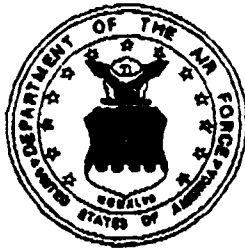
SENSITIVE

~~RESTRICTED STATE~~
Approved for public release
Distribution Unlimited

93-19365



1708



**Air Force
Environmental Planning Division
(HQ USAF/CEVP)**

Room 5B269
1260 Air Force Pentagon
Washington, DC 20330-1260

16 JUL 93

MEMORANDUM FOR DTIC (Acquisition)

(ATTN: Jack Mauby)

SUBJ: Distribution of USAF Planning
Documents Forwarded on 1 JUL 93

All the documents forwarded to
your organization on the subject
date shall be considered

Approved for Public Release, Distribution
is unlimited (Distribution Statement A).

Jack Bush, GM-14

Mr. Jack Bush
Special Projects and Plans
703-697-2928
DSN 227-2928

SMALL ICBM
AREA NARROWING REPORT
EXECUTIVE SUMMARY

JANUARY 1986

Accession For	
NTIS CRA&I	<input checked="" type="checkbox"/>
DTIC TAB	<input type="checkbox"/>
Unannounced	<input type="checkbox"/>
Justification	
By	
Distribution/	
Availability Codes	
Dist	Avail and/or Special
A-1	

DTIC QUALITY INSPECTED 3

EXECUTIVE SUMMARY

PURPOSE

This Area Narrowing Report summarizes the results of the Comprehensive Siting Analysis Process for the Hard Mobile Launcher in Random Movement, Hard Mobile Launcher at Minuteman Facilities, and Hard Silo in Patterned Array basing modes of the Small Intercontinental Ballistic Missile (ICBM) system. Specifically, this report provides an overview of the system description; discusses technical, operational, legal, and policy siting criteria; describes the rationale and process for elimination of potential locations; and identifies potential locations for each basing mode that remain under consideration for deployment of the system. The Area Narrowing Report is divided into this Executive Summary and three separate volumes, one devoted to each basing mode:

- ° Volume I: Hard Mobile Launcher in Random Movement;
- ° Volume II: Hard Mobile Launcher at Minuteman Facilities; and
- ° Volume III: Hard Silo in Patterned Array.

Each of the three volumes also includes appendices, which contain the specific goals, objectives, and rationale for each criterion, and an evaluation of the candidate locations for that basing mode.

BACKGROUND

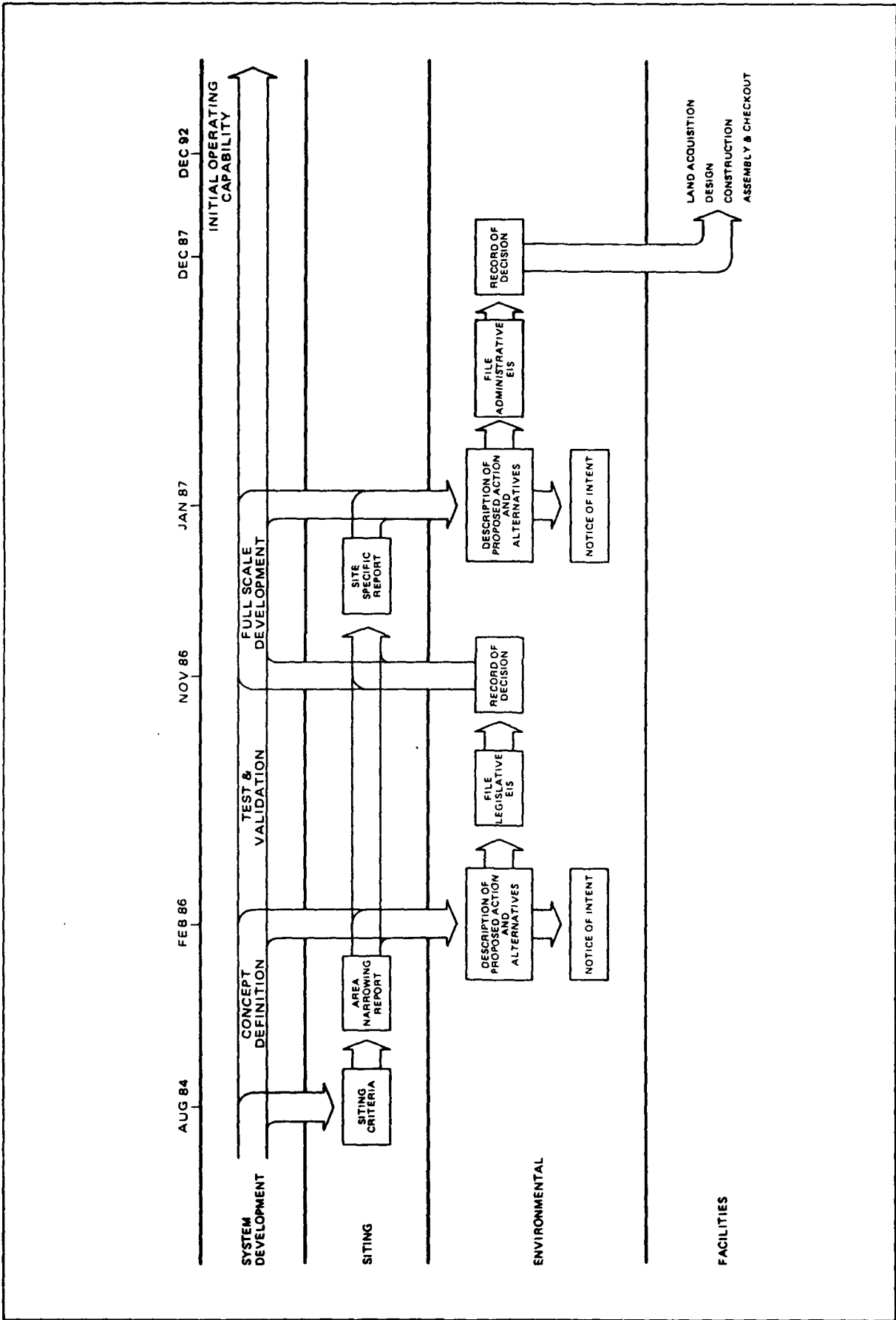
The President established the bipartisan Commission on

FOR OFFICIAL USE ONLY

Strategic Forces (Scowcroft Commission) in January 1983 to study the nation's strategic needs. The Commission recommended the development of the Small ICBM. Acting on the Presidential decision and Congressional direction, the Air Force initiated engineering, siting, and environmental planning in support of a small, single warhead missile. The Glenn Amendment to the 1984 Department of Defense Authorization Act directed an Initial Operational Capability for the Small ICBM of 1992 or earlier.

A detailed schedule for system development, siting, environmental analysis, design, construction, assembly and check-out leading to the 1992 Initial Operational Capability is presented in Figure 1. Key milestones are: Full Scale Development decision (which includes basing mode selection) and Deployment Area selection, late 1986; Site Specific decisions, early 1988; and Initial Operational Capability, late 1992.

The National Environmental Policy Act requires environmental documentation to aid the deployment area and site-specific facility decisions. The Comprehensive Siting Analysis Process supports tiered decision-making by providing progressively more specific location alternatives at each key decision point.



SMALL ICBM COMPREHENSIVE SITING ANALYSIS PROCESS

FIGURE 1

FOR OFFICIAL USE ONLY

The first tier involves the deployment area selection and basing mode decision. This decision could involve selection of multiple basing modes as well as multiple locations for each basing mode. The FY 86 Department of Defense Authorization Act directed that the environmental documentation to aid these decisions be prepared in accordance with the procedures established in the Council on Environmental Quality Regulations for a Legislative Environmental Impact Statement.

The second tier of decisions requiring environmental documentation involves facility site decisions. The Congress has directed that administrative Environmental Impact Statements (EIS) be prepared to aid in these decisions. Environmental documentation will be prepared in time to allow necessary land acquisition, design, construction, and assembly and check-out actions to achieve Initial Operational Capability in late 1992.

SYSTEM DESCRIPTION AND OPERATIONAL CONCEPT

Hard Mobile Launcher in Random Movement

The Small ICBM Hard Mobile Launcher in Random Movement basing mode employs missile-carrying mobile launchers randomly dispersed over Department of Defense and Department of Energy lands. The survivability of the Hard Mobile Launcher system is a function of both launcher hardness and mobility.

FOR OFFICIAL USE ONLY

The operational concept employs a strategy of periodic random movement within a deployment area that is large enough to complicate enemy planning and targeting. During times of increased tension, the Hard Mobile Launchers are dispersed over an area approximately twice as large as the day-to-day deployment area. The launcher will leave the deployment installation only under attack dispersal.

The Hard Mobile Launcher in Random Movement system is deployed in complexes composed of a Main Operating Base and one or more Deployment Installations. The Main Operating Base is an existing military installation that provides maintenance, logistics, and other operational support functions. Deployment Installations are Department of Defense/Department of Energy installations that provide sufficient area for movement of Hard Mobile Launchers.

Hard Mobile Launcher at Minuteman Facilities

A variant of the Hard Mobile Launcher in Random Movement deployment concept deploys Hard Mobile Launchers at existing Minuteman bases. The survivability of this system is a function of the dispersed nature of the existing Minuteman facilities and the resulting capability to rapidly generate a large area for launcher location uncertainty.

Hard Mobile Launchers are parked in austere shelters at operational Minuteman facilities and may also be garrisoned at the Main Operating Base. During peacetime, all Hard

FOR OFFICIAL USE ONLY

Mobile Launchers remain at these facilities "on alert", except for periodic training and maintenance. Only under "attack dispersal" would the launchers be deployed off site. Because each launcher can dash within a large area, the system provides stability and contributes to deterrence by complicating the enemy's targeting task.

Main Operating Base facilities are located at the existing Minuteman support base. Each Minuteman base currently provides maintenance, logistics, and other support services for Minuteman Missile operations. The base will provide similar services for the Small ICBM operations.

Hard Silo in Patterned Array

The Hard Silo basing mode consists of missiles deployed in superhard silos that may be on or off existing military installations. The survivability of the system is a function of silo hardness and the spacing between silos. The silos are arranged to complicate enemy targeting while simplifying maintenance, security, and command and control activities. The system consists of complexes composed of one or more deployment areas and an operating base, interconnected by a transportation network.

Day-to-day operations take place in the deployment area. This area contains the superhard silos, launch control facilities, interconnecting roads, communication systems, a weapons storage area, security, operation and maintenance

FOR OFFICIAL USE ONLY

facilities, and facilities for temporary lodging and life support, all within a fenced perimeter.

The operating base facilities are located at an existing military installation within 50 miles of the deployment area. Various technical facilities, maintenance shops, training facilities, housing, and base support facilities are located in this area.

COMPREHENSIVE SITING ANALYSIS PROCESS

The Comprehensive Siting Analysis Process for the Small ICBM basing modes consisted of the sequential application of Exclusionary and Evaluative Criteria. During the initial phase, Exclusionary Criteria were applied to eliminate locations that clearly did not meet the minimum system requirements. During subsequent phases, the relative suitability of the remaining locations was determined through the application of Evaluative Criteria. These criteria collectively measured the achievement of five system goals: maximize system effectiveness, optimize system operability, optimize system practicability, minimize public impact, and minimize environmental impacts. The process was consistent among basing modes, although some goals were judged to be more discriminating at some phases of analysis than others. While the goals were common to all basing modes, the criteria to measure the achievement of these goals reflected the unique requirements of each basing

mode and the current system definition. This process led to the identification in this Area Narrowing Report of reasonable alternatives for each basing mode.

RESULTS OF CRITERIA APPLICATION

Hard Mobile Launcher in Random Movement

Application of Exclusionary and Evaluative Criteria to Candidate Main Operating Bases and Candidate Deployment Installations for the Hard Mobile Launcher in Random Movement basing mode resulted in the elimination of all but six complexes. Within each of the six complexes one or more Candidate Main Operating Bases was identified. The remaining Candidate Deployment Installations and their associated Candidate Main Operating Bases are identified in Table 1 and Figure 2.

Hard Mobile Launcher at Minuteman Facilities

All six Minuteman bases remain after application of Exclusionary and Evaluative Criteria. These bases are identified in Table 2 and Figure 3.

Hard Silo in Patterned Array

Application of Exclusionary and Evaluative Criteria to Candidate Main Operating Bases and potential Deployment Areas resulted in the elimination of all but six complexes, which are identified in Table 3 and Figure 4.

FUTURE ACTIVITIES

Those locations considered for support of the Small ICBM

FOR OFFICIAL USE ONLY

mission that were not eliminated from further consideration are recommended for study in the Legislative Environmental Impact Statement. Further consultation with host services and commands will occur to consider concerns regarding use of their installations. In addition, consultations will begin with other federal agencies that have an interest in the use of portions of the installations under consideration.

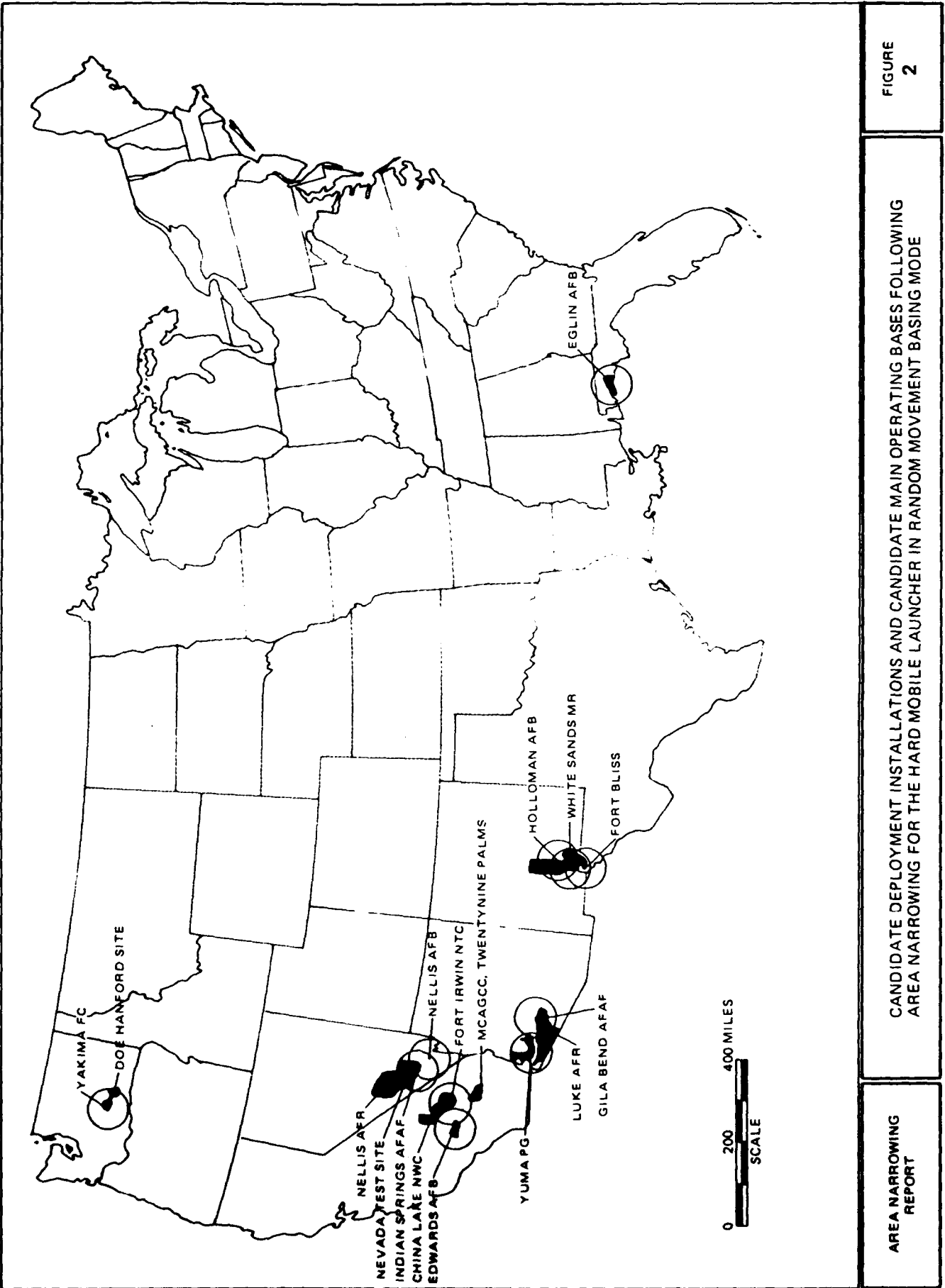


FIGURE
2

CANDIDATE DEPLOYMENT INSTALLATIONS AND CANDIDATE MAIN OPERATING BASES FOLLOWING
AREA NARROWING FOR THE HARD MOBILE LAUNCHER IN RANDOM MOVEMENT BASING MODE

AREA NARROWING
REPORT

TABLE 1: CANDIDATE DEPLOYMENT INSTALLATIONS AND CANDIDATE
MAIN OPERATING BASES FOLLOWING AREA NARROWING FOR
HARD MOBILE LAUNCHER IN RANDOM MOVEMENT BASING MODE

<u>CANDIDATE MAIN OPERATING BASES</u>	<u>CANDIDATE DEPLOYMENT INSTALLATIONS</u>
<u>ARIZONA COMPLEX</u>	
Gila Bend Air Force Auxiliary Field Or Yuma Proving Ground	Luke Air Force Range and Yuma Proving Ground
<u>FLORIDA COMPLEX</u>	
Eglin Air Force Base	Eglin Air Force Base
<u>NEVADA COMPLEX</u>	
Indian Springs Air Force Auxiliary Field Or Nellis Air Force Base	Nellis Air Force Range and Nevada Test Site
<u>NEW MEXICO/TEXAS COMPLEX</u>	
Fort Bliss, Holloman Air Force Base, Or White Sands Missile Range Headquarters	Fort Bliss, Holloman Air Force Base, and White Sands Missile Range
<u>SOUTH-CENTRAL CALIFORNIA COMPLEX</u>	
Edwards Air Force Base Or Fort Irwin National Training Center	China Lake Naval Weapons Center, Edwards Air Force Base, Fort Irwin National Training Center, Marine Corps Air Ground Combat Center, Twentynine Palms
<u>WASHINGTON COMPLEX</u>	
Yakima Firing Center	Department of Energy Handford Site and Yakima Firing Center

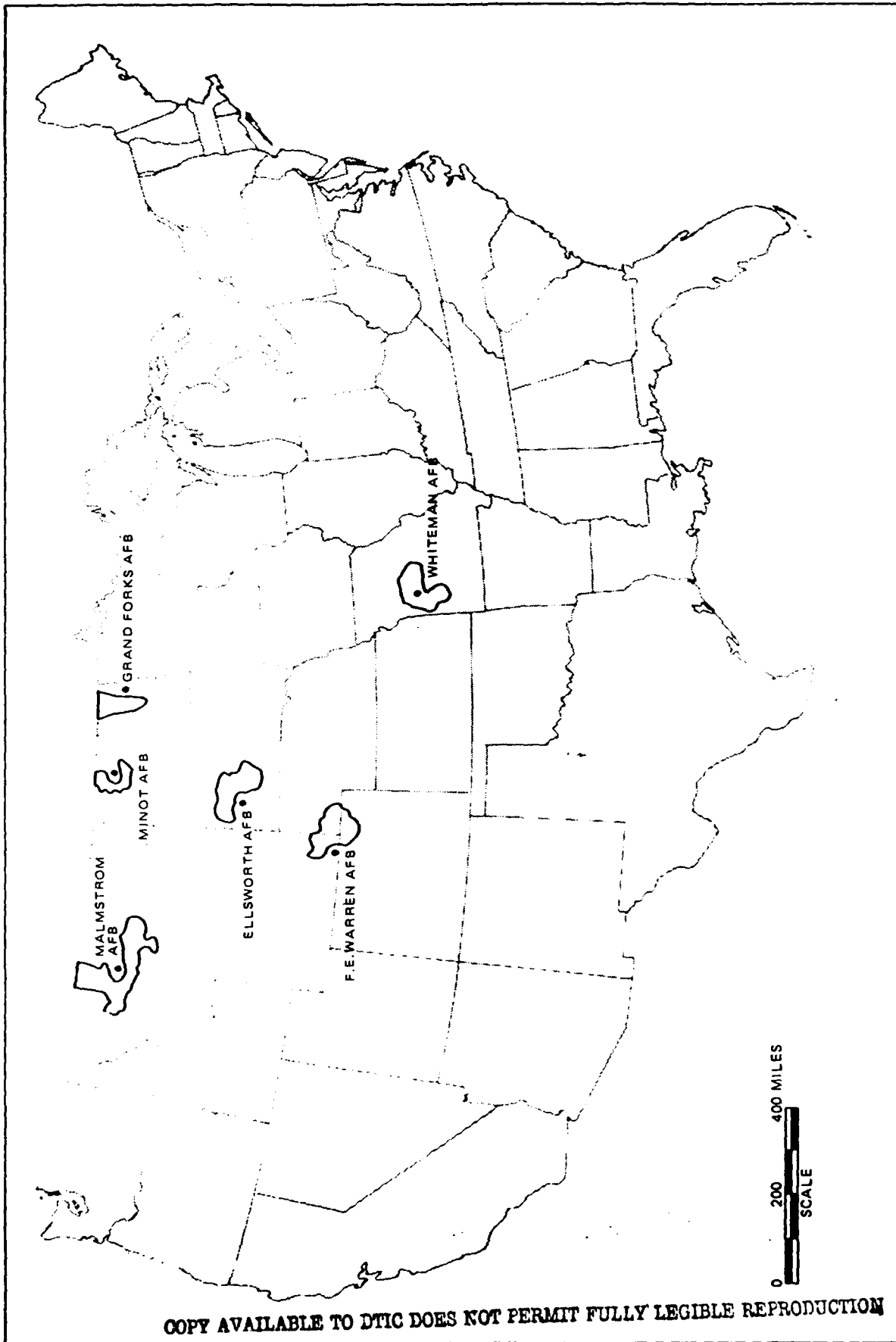


FIGURE
3

CANDIDATE MAIN OPERATING BASES AND ASSOCIATED CANDIDATE DEPLOYMENT AREAS
FOLLOWING AREA NARROWING FOR HARD MOBILE LAUNCHER AT
MINUTEMAN FACILITIES BASING MODE

AREA NARROWING
REPORT

TABLE 2: CANDIDATE MAIN OPERATING BASES FOLLOWING AREA NARROWING
FOR HARD MOBILE LAUNCHER AT MINUTEMAN FACILITIES BASING MODE

Ellsworth Air Force Base, South Dakota

F.E. Warren Air Force Base, Wyoming

Grand Forks Air Force Base, North Dakota

Malmstrom Air Force Base, Montana

Minot Air Force Base, North Dakota

Whiteman Air Force Base, Missouri

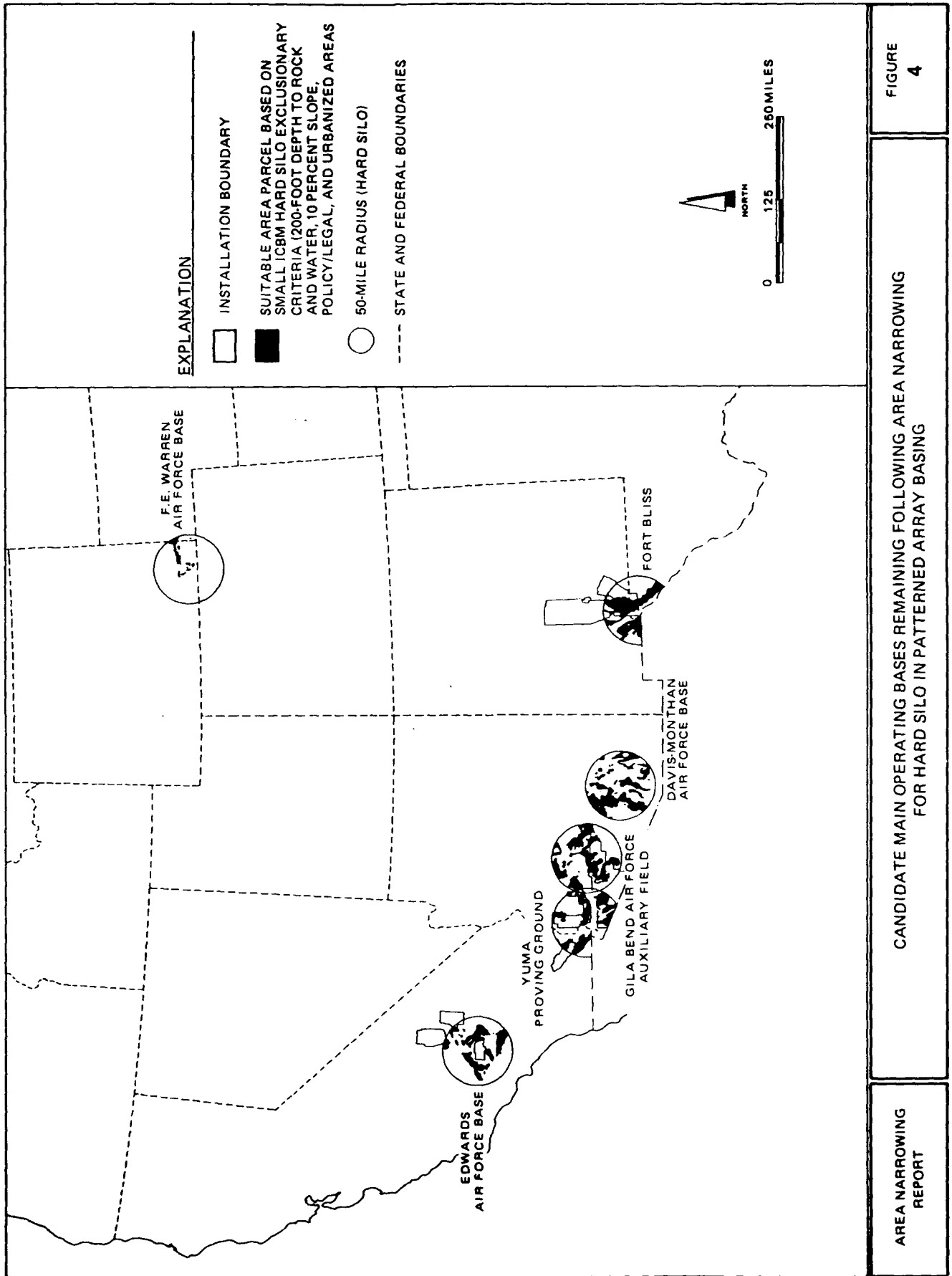


TABLE 3: CANDIDATE MAIN OPERATING BASES FOLLOWING AREA NARROWING
FOR HARD SILO IN PATTERNED ARRAY BASING MODE

Davis-Monthan Air Force Base, Arizona
Edwards Air Force Base, California
F.E. Warren Air Force Base, Wyoming
Fort Bliss, Texas
Gila Bend Air Force Auxiliary Field, Arizona
Yuma Proving Ground, Arizona